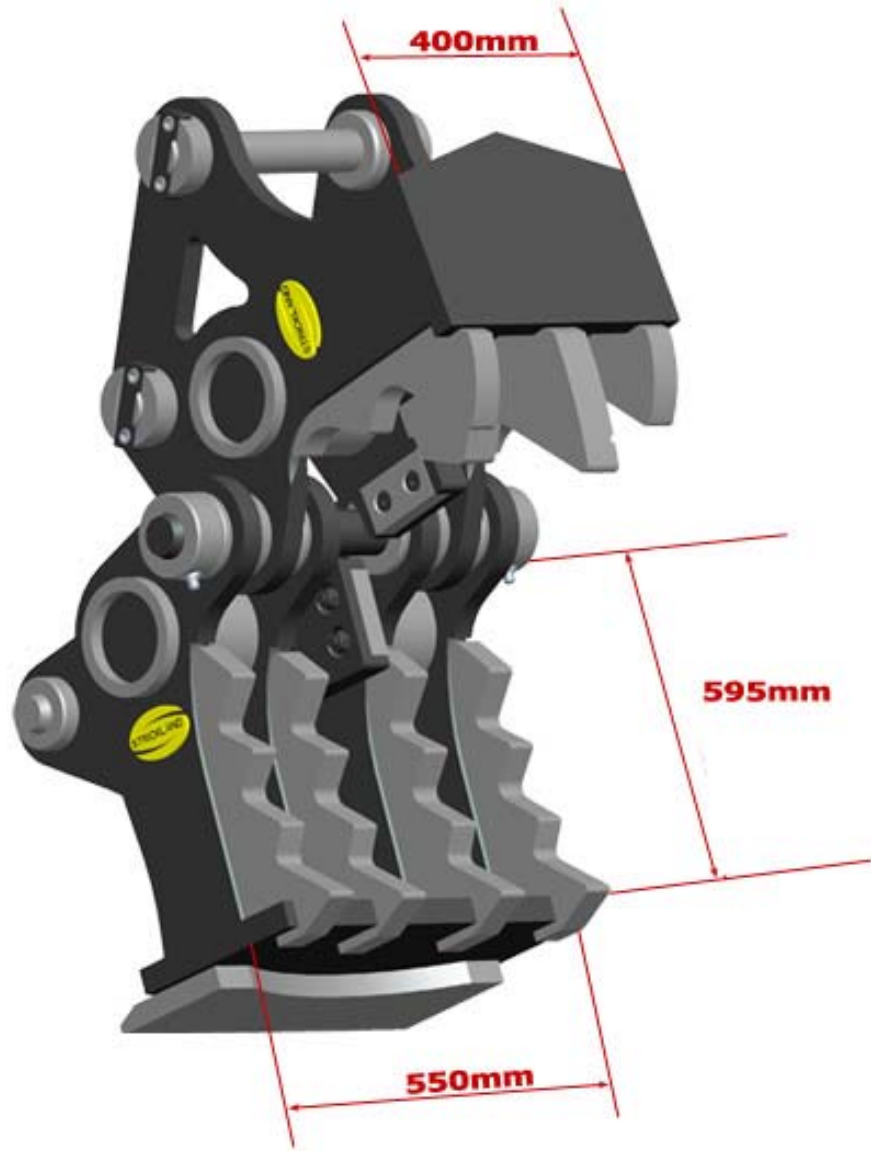


CP20 PULVERISER FOR 13 TON EXCAVATORS



DESCRIPTION				
SCAFFOLDING				
REMARKS				
DRAWN	DATE	CHECKED	DATE	SCALE
100	10/18			1:1
TOTAL NUMBER OF SHEETS		THIS SHEET NO		

STRICKLAND STREET LIMITED 2000. ALL RIGHTS RESERVED. PROPERTY RIGHTS IN THIS DESIGN AND THE COPYRIGHT IN THIS DRAWING ARE THE PROPERTY OF STRICKLAND STREET LIMITED. ANY UNNECESSARY SHARP EDGES TO BE REMOVED.

ANY UNNECESSARY SHARP EDGES TO BE REMOVED.

ANY UNNECESSARY SHARP EDGES TO BE REMOVED.



IF IN DOUBT-PLEASE ASK DO NOT SCALE