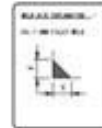
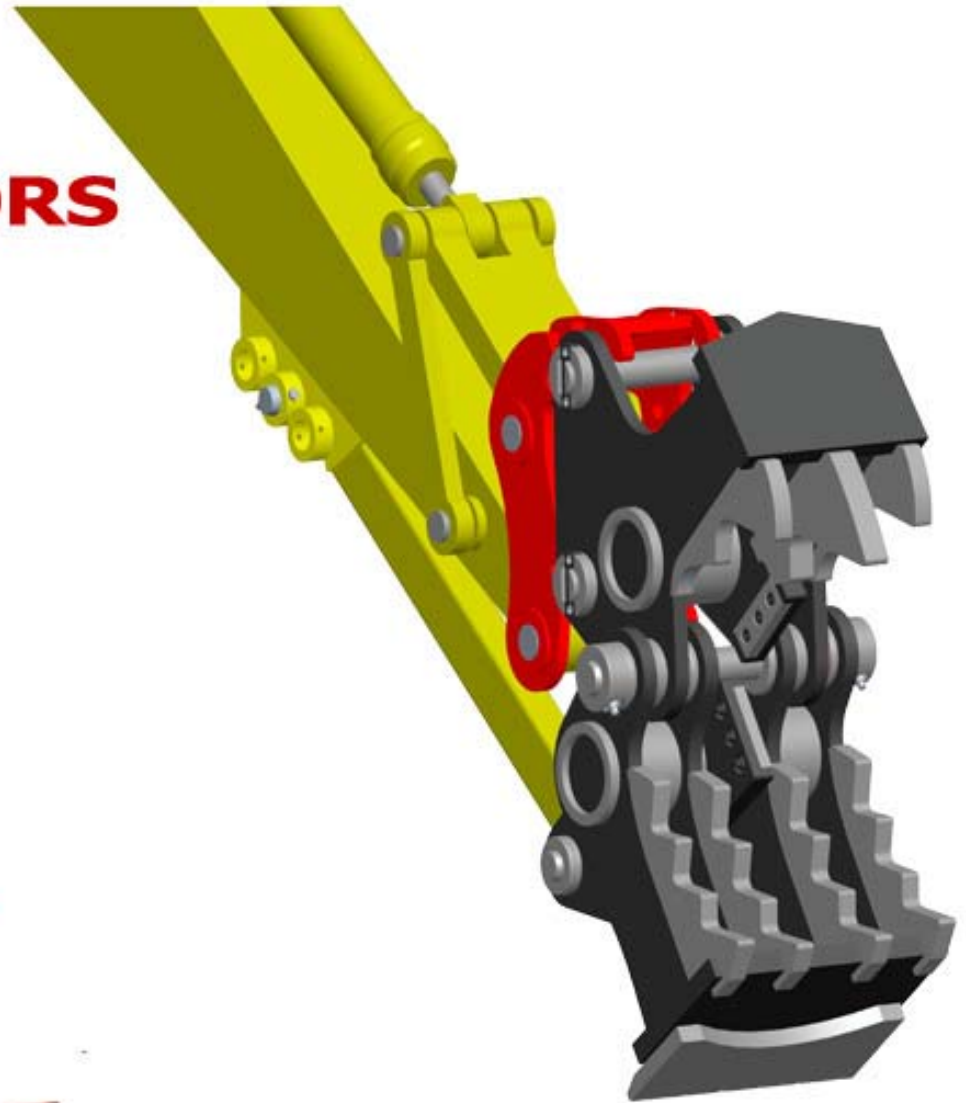
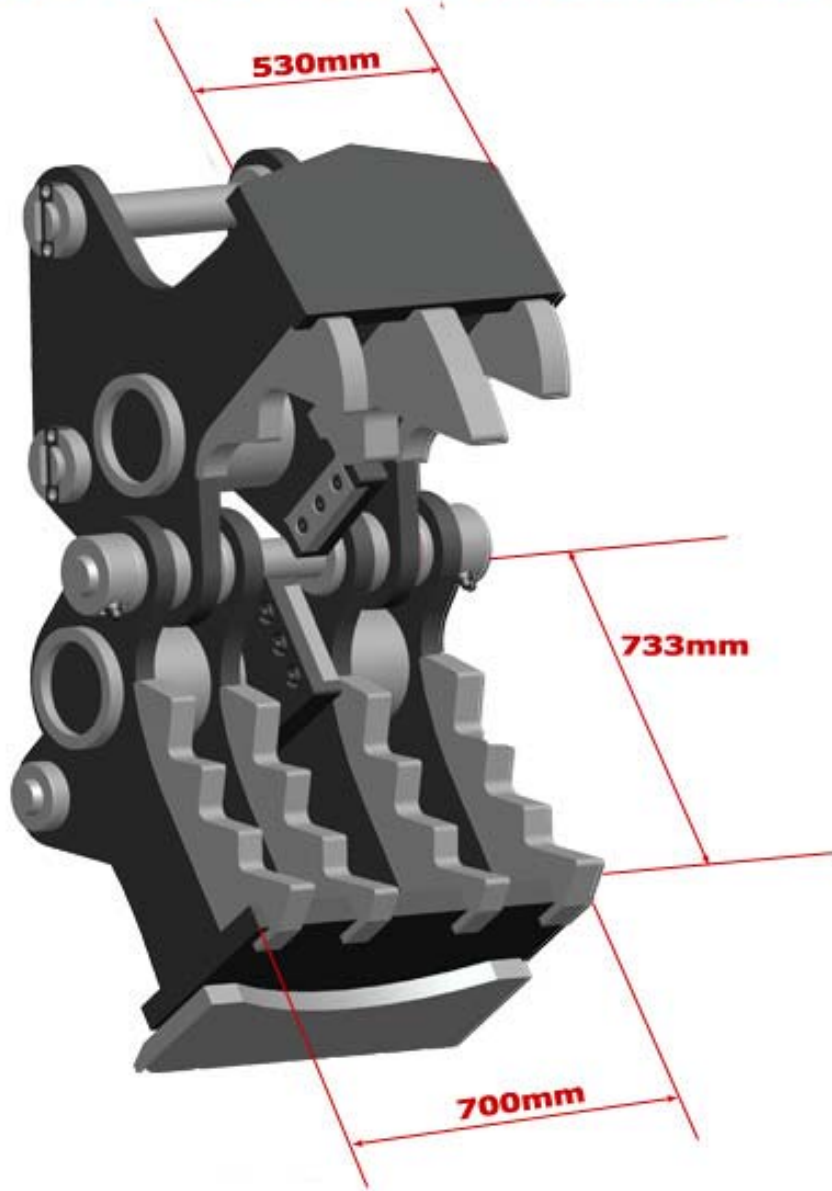


CP40 PULVERISER FOR 18-24 TON EXCAVATORS



DESCRIPTION				
SCAFFOLDING				
REMARKS				
DATE	CHECKED	DATE	SCALE	
10/01/2018	10/01/2018	10/01/2018	1:1	
TOTAL NUMBER OF SHEETS		THIS SHEET NO.		

STRICKLAND STREET LIMITED 2018. ALL RIGHTS RESERVED. STRICKLAND STREET LIMITED IS THE PROPRIETOR OF THIS DESIGN AND THE COPYRIGHT IN THIS DRAWING AND THE PROPERTY OF STRICKLAND STREET LIMITED. ANY UNAUTHORIZED USE THEREOF WILL CONSTITUTE AN INFRINGEMENT OF THE INTELLECTUAL PROPERTY RIGHTS OF STRICKLAND STREET LIMITED.

INDICATED AS SHOWN
UNLESS OTHERWISE SPECIFIED

ANY UNNECESSARY SHARP EDGES TO BE REMOVED.

1:1 SCALE



IF IN DOUBT-PLEASE ASK
DO NOT SCALE