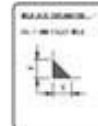
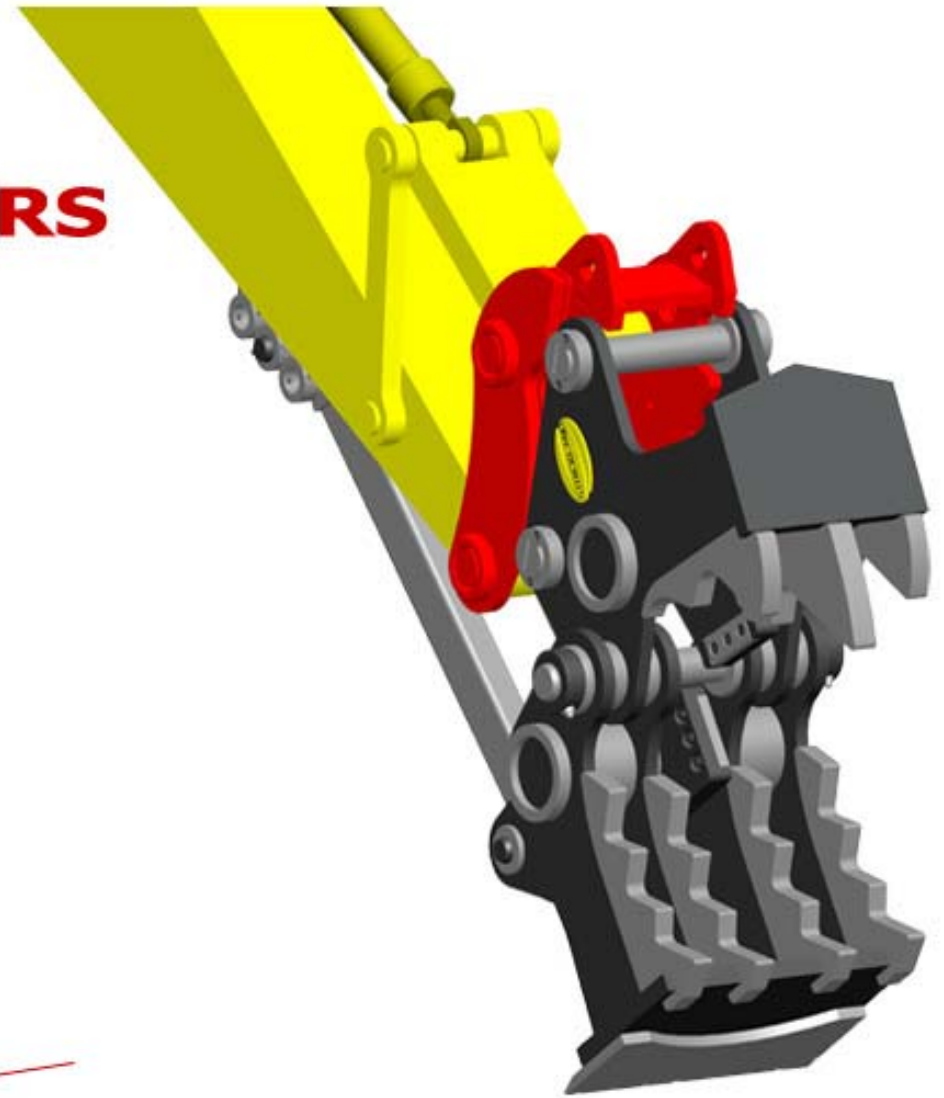
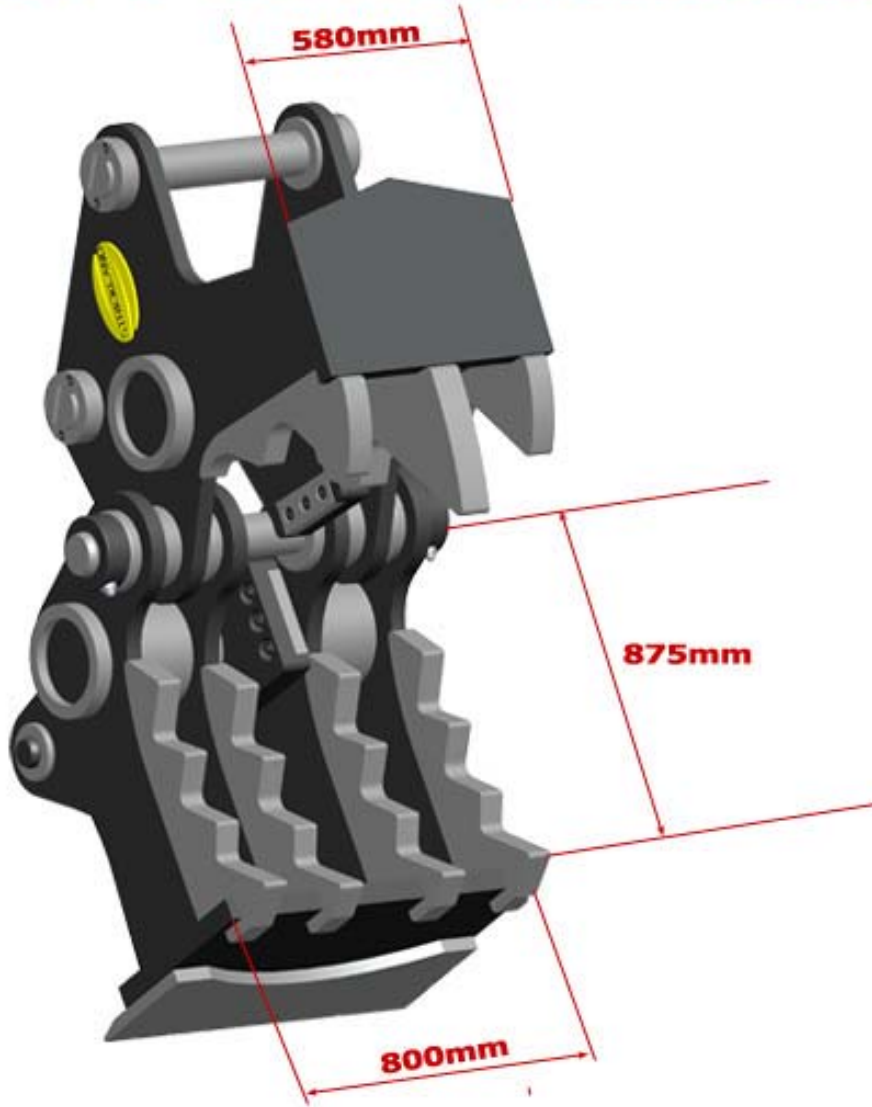


CP60 PULVERISER FOR 28-35 TON EXCAVATORS



| | | | | |
|------------------------|---------|---------------|-------|--|
| DESCRIPTION | | | | |
| SCAFFOLDING | | | | |
| REMARKS | | | | |
| DATE | CHECKED | DATE | SCALE | |
| 10/01/2018 | AD | | | |
| TOTAL NUMBER OF SHEETS | | THIS SHEET NO | | |

STRICKLAND STREET LIMITED 2018. ALL RIGHTS RESERVED. STRICKLAND STREET LIMITED IS THE PROPRIETOR OF THIS DESIGN AND THE COPYRIGHT IN THIS DRAWING AND THE PROPERTY OF STRICKLAND STREET LIMITED. ANY UNNECESSARY SHARP EDGES TO BE REMOVED.

1. SEE DRAWING FOR DIMENSIONS AND TOLERANCES.

2. SEE DRAWING FOR DIMENSIONS AND TOLERANCES.

ANY UNNECESSARY SHARP EDGES TO BE REMOVED.



IF IN DOUBT-PLEASE ASK DO NOT SCALE